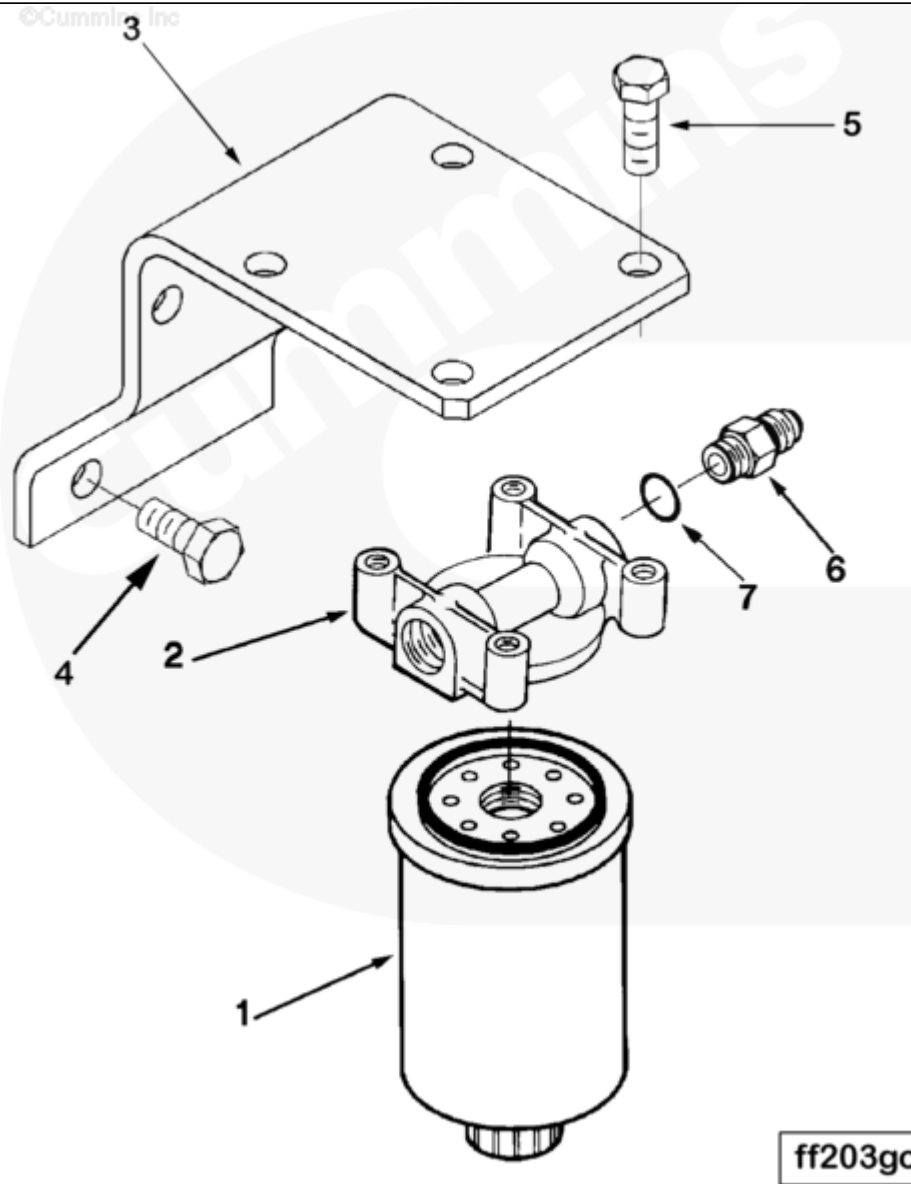




# Parts Catalog - Option Detail

Electronic Parts Catalog - Option Detail				
Option	Group	Graphic	Film Card	Date
FF2244-04	06.04	ff203go	II	30-NOV-12
<b>Engines</b>	ISM CM570, ISM CM570/870, ISM CM875, ISM CM876, ISM CM876 E, ISM11 CM876 M103, ISM11 CM876 SN, M11 CELECT, M11 CELECT PLUS, M11 MECHANICAL, QSM11 CM570, QSM11 CM876			



SMALL | MEDIUM | LARGE

Cart	Ref No	Part Number	Part Description	Required	Remarks
<a href="#">View My Cart</a>					
		FF2244-04	Fuel Filter		

					Fuel Filter
					Water in Fuel Sensor
					Included: No
					Fuel Filter Supplier:
					Cummins
					Fuel Pump Type: Select
					Fuel Filter Location: Left
					Rear Block (Permanent)
					Element Type: Single Spin-On
					Water Separator Provision:
					Yes
					Drain Provision: Yes
					Check Valve: No
					Filter Inlet Fitting:
					Straight
					Pump Inlet Fitting: Straight
					Heater Element: No
					Decal: Fleetguard
					Fuel Plumbing Routing:
					Pressure Side
					Filtration Measurement
					(Microns): 10
					Filter Model: FS1000
					Pump Inlet Diagnostic
					Provision: No
	1	3329289	Fuel Water Separator	1	Purchase Cummins Filtration.
<input type="checkbox"/>		255622	Rectangular Ring Seal	1	
<input type="checkbox"/>	2	142784	Fuel Filter Head	1	Purchase Cummins Filtration.

<input type="checkbox"/>	3	<a href="#">4060554</a>	Filter Bracket	1	
<input type="checkbox"/>	4	<a href="#">3818060</a>	Captive Washer Cap Screw	2	M10 x 1.50 x 25
<input type="checkbox"/>	5	<a href="#">S 112</a>	Hexagon Head Cap Screw	4	3/8 - 16 X 1 in.
<input type="checkbox"/>	6	<a href="#">129866</a>	Male Union	1	
<input type="checkbox"/>	7	<a href="#">3040817</a>	O-Ring Seal	1	
		<a href="#">3100516</a>	Male Union	1	7/8-14 x 7/8-14
<input type="checkbox"/>		<a href="#">3329290</a>	Decal	1	

© 2019 Cummins Inc., Box 3005, Columbus, IN 47202-3005 U.S.A.  
Terms of Use and Disclaimers | Recommended System Requirements  
Need Assistance? Please click on the Contact Us button in the top right corner of any page.